

Manufacturing Certificate
CMC Shanghai No.02220105

Instruction Manual

TYPE LPG FILTER



 **SHANGHAI NO.9AUTOMATION INSTRUMENTATION CO., LTD.**

B/SS VERSION; 2008.04
GQ-B009-C-Z

CONTENTS

1. General Description	1
2. Structure & Working Principle	1
3. Correct selection of Type.....	4
4. Main Technical Specifications.....	5
5. Dimensions & Installation Reference	6
6. Installation, Operation and Maintenance:	8
7. Transportation & Storage.....	8
8. Accessories	8

READ THIS MANUAL CAREFULLY BEFORE INSTALLATION AND USE

1. General Description

This manual is for the installation, application and maintenance of Type LPG Filter designed and made by SAIC No.9 .

Address: No.157 Changji Rd., Anting , Jiading , Shanghai , PR. China

Zip Code: 201805

Phone: 0086-21-59577980; 0086-21-52824671

Visit our website at www.ziyi9.com

The company reserves the rights to the explanation and modification of this manual, which is subject to change without prior notice

Type LPG Filter is a certain kind of complementary equipment that petrol, chemistry and other industries who are using flow instruments have to procure.

The filter working with the flow instruments can clean off impurities, misled objects liquid contains so as to ensure the flow instrument measuring accuracy and prolong its lifetime of usage.

This company provides many different versions of Filter with wide range of specifications and newly-developed-structures. Safety, reliability and other advantages like easy-in-using, quick-mounting /dismounting make the time consuming for cleaning minimized, labor intensity reduced and gain economically achieved.

2. Structure & Working Principle

1) Structure

The Filter mainly consists of the Body, Filtering Cylinder, O Ring, Screw Plug (quick-dismounting Clamp) and Cover.

The Filter is attached with quick-dismounting- structural- device for Filter Cylinder quick changing and cleaning.

(1) Tilting-Screw- Quick-Dismounting- Filter: fastening and sealing with Hex-Bolt in structure. Please see Figure 1a below .

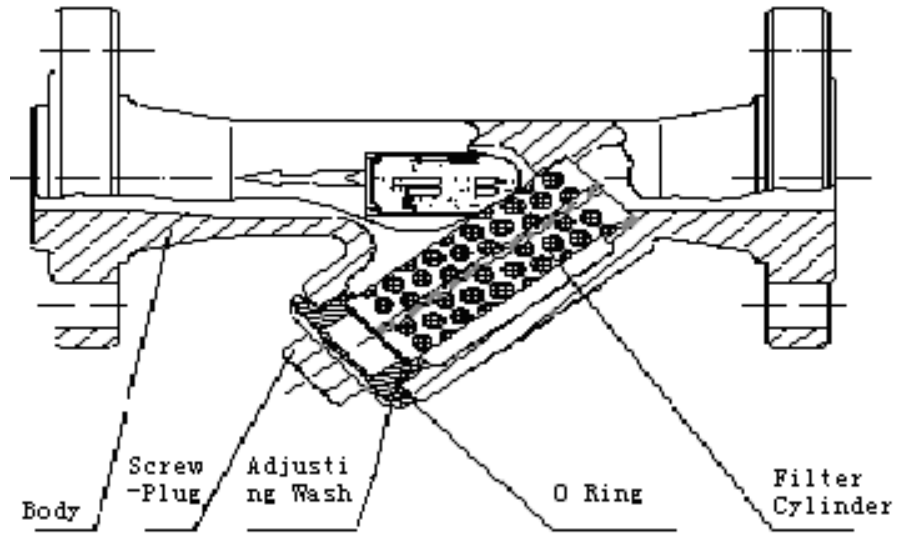


Figure 1a Tilting-Screw- Quick-Dismounting- Filter

(2)Tilting-Clamping-Quick-Dismounting –Filter and Upright-Barrel-Clamping-Quick-Dismounting-Filter: two Semi-Circles-Clamping in structure for sealing. Please see Figure 1b & 1c below .

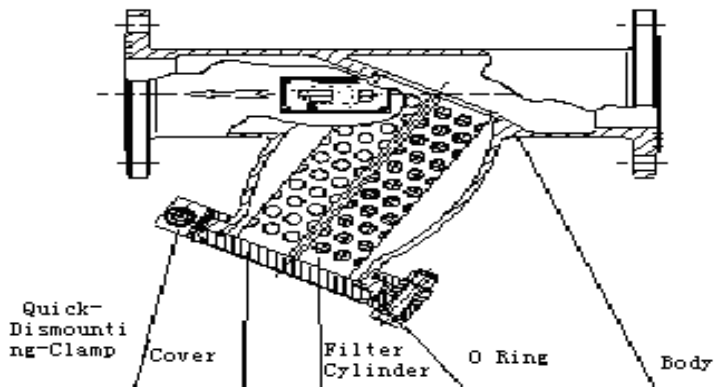


Figure 1b Tilting-Clamping-Quick-Dismounting –Filter

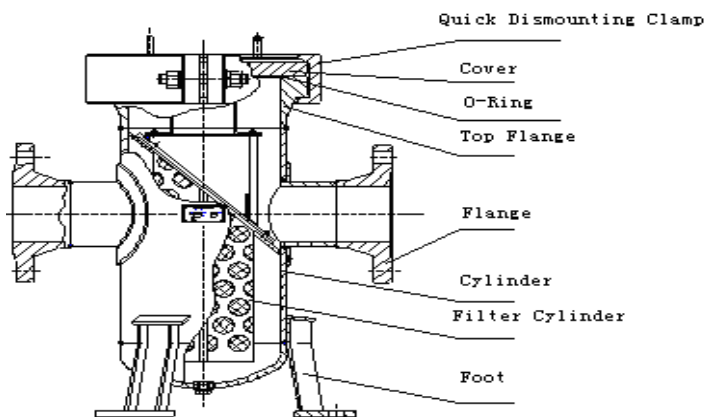


Figure 1c Upright Barrel Filter with Clamping-Quick-Dismounting

The Quick-Dismounting Structural Device for the Filter made by this company has got a National Patent on an invention.

Patent Registration No. 88217534.3

For the Patented Structure, please see Figure 2.

2) Working Principle:

The liquid passes through the inlet to the Filter, and the Flowing Path of the Body forces the fluid to enter into the Filter Cylinder for filtering, then the liquid cleaned comes out with good filtering effectiveness.

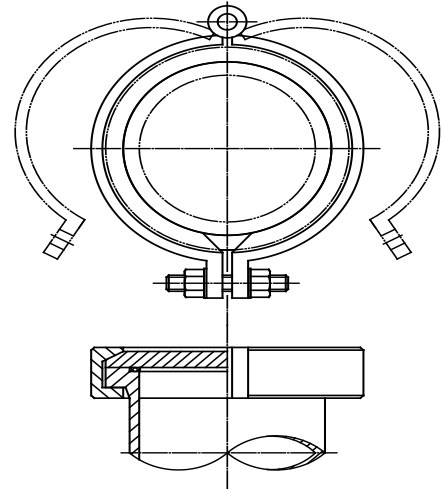


Figure 2 Quick-Dismounting Structural Device

3. Correct selection of Type

Filter Type Code (see Table 1)

Table 1

Basic Type	Type Code				Example
Liquid Filter	LPG				LPG
Structure Upright Barrel Tilting Plug		T X			X
Nominal Diameter DN15 DN25 DN40 DN50 DN80 DN100 DN150 DN200 DN250 DN300			15 25 40 50 80 100 150 200 250 300		150
Structural Mode Upright Barrel Filter with Clamping-Quick-Dismounting Tilting-Plug-Screw- Quick-Dismounting Tilting-Plug-Clamping-Quick-Dismounting				A I II	II
Measuring Medium Liquid Gas				Y Q	Y

Example of Type Choosing: LPGX-150IIY denotes:

Filter; **Tilting Plug;** **Nominal diameter:** DN150mm; **Structural mode:** Tilting-Plug-Clamping-Quick-Dismounting **Measuring Medium:** Liquid

4. Main Technical Specifications

Main Technical Specifications of the Filter (see Table 2 below)

Table 2

Type	Nominal Diameter (mm)	Nominal Pressure (MPa)	Mesh Count of Filter		Fluid Temperature °C
			Liquid	Gas	
LPGX-15 I	15	1.6 6.3	40	-----	0~120
LPGX-25 I	25			100	
LPGX-40 I	40				
LPGX-50 I	50	1.6 2.5	20	100	
LPGX-80 I	80				
LPGX-100II	100				
LPGT-40A	40	1.6 2.5 4.0 6.3	20	-----	
LPGT-50A	50				
LPGT-80A	80				
LPGT-100A	100				
LPGT-150A	150				
LPGT-200A	200		10		
LPGT-250A	250				
LPGT-300A	300				

- Note: 1. Mesh Count of Filter can be changed as per user's request;
 2. For the temperature above 120°C, please specify for special order

5. Dimensions & Installation Reference

1) The Dimensions & Installation Reference of LPGT Upright Barrel Filter (See Figure 3; Table 3).

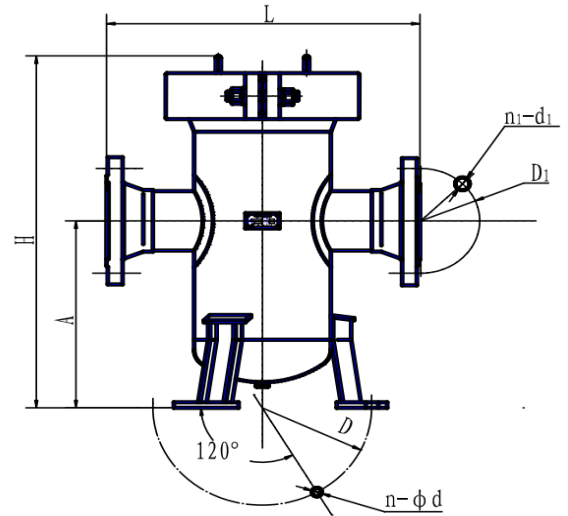


Figure 3 Upright Barrel Filter

Table 3

Type	PN	Flange Distance L mm	Center Height A mm	Height H mm	Foot Dimension		Flange Connection		Weight G kg
	MPa				D mm	n-φ d	D1	n1-φ d1	
LPGT- 40A LPGT- 50A	1.6	320	237	455	310	3- φ 23	125	4-φ18	34
	2.5								
	4.0						135	4-φ23	
	6.3								
LPGT- 80A	1.6	420	260	580	335	3- φ 23	160	8-φ18	60
	2.5								
	4.0						170	8-φ23	
	6.3								
LPGT-100A	1.6	520	315	668	335	3- φ 23	180	8-φ18	85
	2.5								
	4.0						190	8-φ23	
	6.3								
LPGT-150A	1.6	720	500	850	520	3- φ 23	240	8-φ23	180
	2.5								
	4.0						250	8- φ 25	
	6.3								
LPGT-200A	1.6	800	538	1070	634	3- φ 23	295	12- φ 23	400
	2.5								
	4.0						310	12- φ 25	
	6.3								
LPGT-250A	1.6	1000	580	1134	658	3- φ 23	345	12- φ 34	480
	2.5								
	4.0						355	12- φ 25	
	6.3								
LPGT-300A	1.6	1070	1050	1800	670	3- φ 34	385	12- φ 34	680
	2.5								
	4.0						400	12- φ 41	
	6.3								
	1.6						430	16- φ 30	
	2.5								
	4.0						450	16- φ 34	
	6.3								

2) The Dimensions & Installation Reference of LPGX Tilting Plug Filter (See Figure 4; Table 4)

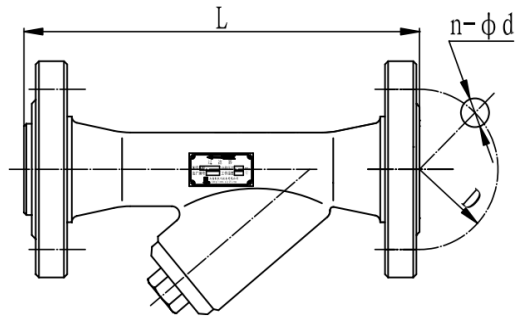


Figure 4 Tilting Plug Filter

Table 4

Type	Nominal Diameter		Flange Distance	Connection Flange		Weight
	PN	MPa	L mm	D mm	n-φd	G kg
LPGX-15 I	1.6		180	65	4-φ14	7
	6.3		180	75	4-φ14	7
LPGX-25 I	1.6		180	85	4-φ14	7
	6.3		250	100	4-φ18	8
LPGX-40 I	6.3		300	125	4-φ23	12
LPGX-50 I	1.6, 2.5		304	125	4-φ18	15
LPGX-80 II	1.6, 2.5		400	160	4-φ18	20
LPGX-100II	1.6		400	180	4-φ18	25
	2.5			190	4-φ23	

3) Flange Connection:

The Flange connection specifications for the Filter are in line with Standard JB/T81-94 (PN1.6, PN2.5) or JB/82.2-94 (PN4.0, PN6.3)

Users are entitled to adopt the above Standard for the pipe flange arrangement.

4) Mesh Count of Filter:

The Mesh Count of Filter for different nominal diameter shown on Table 2 is just for reference. If user's needs are different from the number shown on the Table, please specify when ordering.

6. Installation, Operation and Maintenance:

The Filter shall be placed horizontally at the up-stream of the Flow Meter. The Fluid direction must be in accordance with the Arrow direction shown on the Filter Body or on the nameplate attached to it, so as to secure the measuring accuracy of the Flow Meter.

Installation reference for the Filter as per Table 3 and 4;

Please be sure, to clean the Filter Cylinder and remove dirt periodically in maximizing the filtering effectiveness and reducing the pressure loss.

7. Transportation & Storage

- 1) During transportation or moving of the Filter (dispatching it to the job-site or returning it for repair), please to keep the Ex-works packing condition that is initially provided by this company to prevent it from being damaged.
- 2) The Flow Meter shall be stored within the room where temperature ranges from 5~40°C and relative humidity does not exceed over 85%, with good ventilation and no corrosive gases.

8. Accessories

- 1) Instruction Manual 1
- 2) Quality Certificate 1

This Instruction Manual is subject to change without prior notice